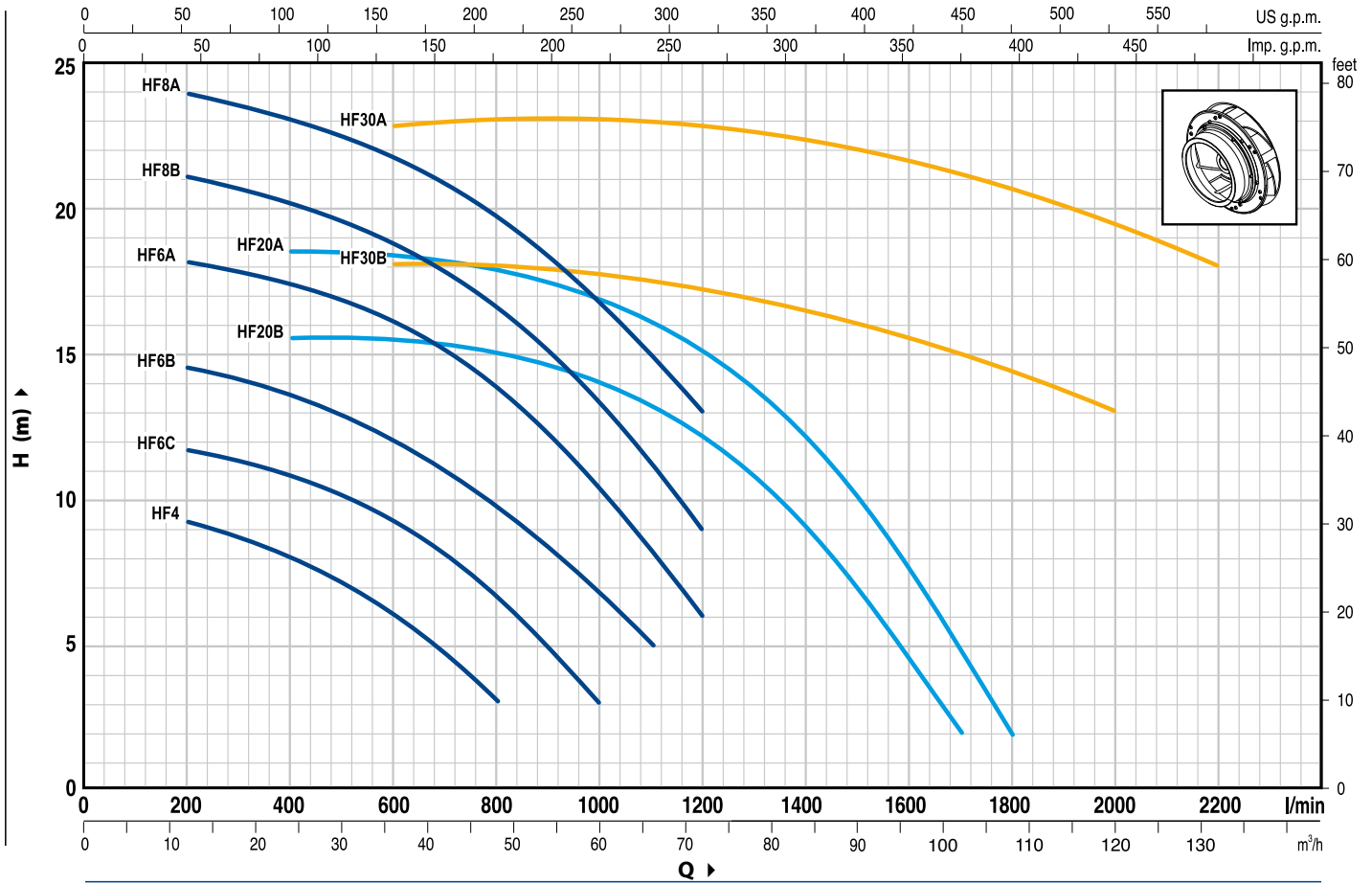


**CURVE E DATI DI PRESTAZIONE / CURVES AND PERFORMANCE DATA**

**n= 2900 1/min**

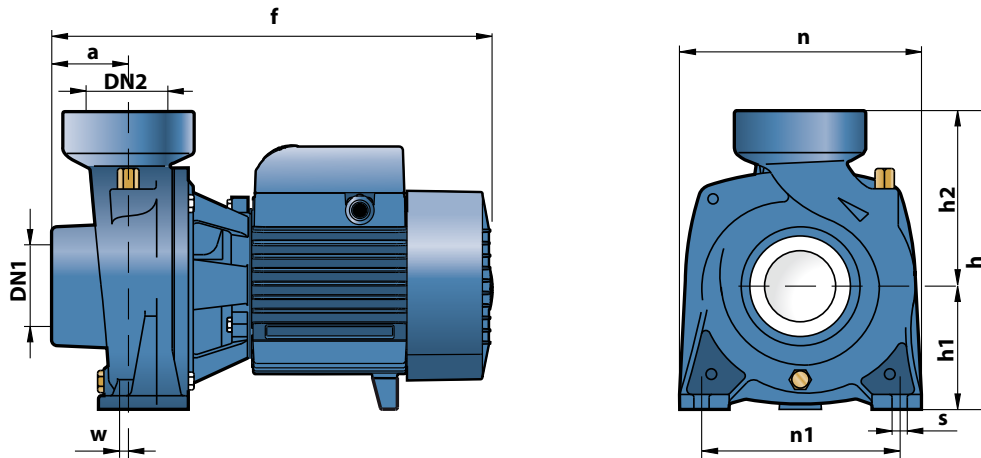


MODELLO TYPE		POTENZA POWER		Q	Q																			
1 ~	3 ~	kW	HP		m³/h	0	12	18	24	30	36	42	48	54	60	66	72	84	96	102	108	120	132	
				l/min	0	200	300	400	500	600	700	800	900	1000	1100	1200	1400	1600	1700	1800	2000	2200		
HFm 4	HF 4	0.75	1	H (m)	10	9.3	8.7	8	7	6	4.7	3												
HFm 6C	HF 6C	1.1	1.5		11.9	11.7	11.3	10.7	10.2	9.2	8	6.7	5	3										
HFm 6B	HF 6B	1.5	2		14.7	14.5	14	13.5	12.8	12	11	9.7	8.2	6.7	5									
—	HF 6A	2.2	3		18.5	18.1	17.8	17.2	16.8	16	15	13.8	12.2	10.5	8.3	6								
—	HF 8B	3	4		21.5	21	20.7	20	19.5	18.8	17.8	16.5	15	13.5	11.2	9								
—	HF 8A	4	5.5		24.5	24	23.5	23	22.5	21.8	20.8	19.5	18.3	16.8	15	13								
—	HF 20B	3	4		16	-	-	15.5	15.4	15.3	15.2	15	14.5	14	13	12	9	4.8	2					
—	HF 20A	4	5.5		19	-	-	18.5	18.4	18.3	18.2	18	17.5	17	16.2	15.2	12	7.8	5	2				
—	HF 30B	5.5	7.5		18	-	-	-	-	18	18	18	18	18	17.5	17	16.5	15.5	15	14.5	13			
—	HF 30A	7.5	10		23	-	-	-	-	23	23	23	23	23	22.5	22.5	22.5	22	21.5	21	19.5	18		

Q = Portata H = Prevalenza manometrica totale  
Q = Flow rate H = Total manometric head

Tolleranza delle curve di prestazione secondo EN ISO 9906 App. A.  
Tolerance of the performance curves according to EN ISO 9906 App. A.App. A.

**DIMENSIONI E PESI / DIMENSIONS AND WEIGHTS**



TIPO TYPE		BOCCH PORTS		DIMENSIONI mm DIMENSIONS mm									kg	
1~	3~	DN1	DN2	a	f	h	h1	h2	n	n1	w	s	1~	3~
HFm 4	HF 4	2 1/2"	2 1/2"	55	323	240	97	143	198	155	0	10	14.5	13.2
HFm 6C	HF 6C	3"	3"	68	411	312	120	192	240	190	6	12	25.5	24.2
HFm 6B	HF 6B												26.5	25.5
—	HF 6A	4"	4"	80	435	312	132	180	245	190	30	14	—	26.7
—	HF 8B												—	35.0
—	HF 8A												—	40.0
—	HF 20B												—	35.0
—	HF 20A	82	465	585	370	312	160	210	292	212	30	14	—	40.0
—	HF 30B												—	60.9
—	HF 30A												—	65.2

- Corpo pompa: ghisa
- Girante: ottone
- (\*) Girante: ghisa

- Pump body: cast iron
- Impeller: brass
- \* Impeller: cast iron

**Le elettropompe da 4 a 7.5 kW sono equipaggiate con motori ad ALTO RENDIMENTO in classe EFF1**

**The pumps within the 4 to 7.5 kW range are fitted with EFF1 class HIGH EFFICIENCY motors**